

Domestic STA



Domestic STA



Input for All Domestic Models is 120 Volts A.C., 60 Hz.

SEC.	STANCOR PART NUMBER	Rated Output			Regulated/Unregulated	Case Style	DIMENSIONS						Weight (lbs.)	Output Plug ^Δ 2.1x5.5mm Inside Polarity	Agency* Certification	
		Volts	AC/DC	mA			Length (inches)	Length (mm)	Width (inches)	Width (mm)	Height (inches)	Height (mm)				
A	STA-4125T	2.5	DC	500	Unregulated	Wall Plug-in	2	2.5	63.0	2.0	51.0	1.6	41.0	0.47	Negative	UL/CSA
	STA-4130	3.0	DC	350	Regulated	Wall Plug-in	2	2.5	63.0	2.0	51.0	1.6	41.0	0.48	Negative	UL
	STA-3530A	3.0	DC	400	Unregulated	Wall Plug-in	1	2.2	55.0	1.8	44.6	1.5	37.2	0.35	Negative	UL/CSA
	STA-3530	3.0	DC	500	Unregulated	Wall Plug-in	1	2.2	55.0	1.8	44.6	1.5	37.2	0.37	Negative	UL/CSA
B	STA-3540	4.4	DC	400	Unregulated	Wall Plug-in	1	2.2	55.0	1.8	44.6	1.5	37.2	0.35	Negative	UL/CSA
	STA-3545B	4.5	AC	300	Unregulated	Wall Plug-in	1	2.2	55.0	1.8	44.6	1.5	37.2	0.34	-	UL/CSA
	STA-4850	5.0	DC	600	Regulated	Wall Plug-in	9	3.5	89.0	2.4	61.0	1.9	47.0	0.90	Negative	UL/CSA
	STA-3560B	6.0	DC	100	Unregulated	Wall Plug-in	1	2.2	55.0	1.8	44.6	1.5	37.2	0.35	Negative	UL/CSA
C	STA-3560	6.0	DC	200	Unregulated	Wall Plug-in	1	2.2	55.0	1.8	44.6	1.5	37.2	0.35	Negative	UL/CSA
	STA-3560A	6.0	DC	300	Unregulated	Wall Plug-in	1	2.2	55.0	1.8	44.6	1.5	37.2	0.35	Negative	UL/CSA
	STA-4160	6.0	DC	600	Unregulated	Wall Plug-in	2	2.5	63.0	2.0	51.0	1.6	41.0	0.47	Negative	UL/CSA
	STA-4160A	6.0	DC	800	Unregulated	Wall Plug-in	2	2.5	63.0	2.0	51.0	1.6	41.0	0.56	Negative	UL/CSA
D	STA-4860	6.0	DC	1000	Unregulated	Wall Plug-in	3	2.8	70.5	2.3	57.0	1.8	44.6	0.84	Negative	UL/CSA
	STA-4860-4	6.0	DC	1000	Unregulated	Wall Plug-in	3	2.8	70.5	2.3	57.0	1.8	44.6	0.84	Positive	UL/CSA
	STA-4860A	6.0	DC	1200	Unregulated	Wall Plug-in	3	2.8	70.5	2.3	57.0	1.8	44.6	0.90	Negative	UL/CSA
	STA-5760	6.0	DC	2000	Unregulated	Wall Plug-in	4	3.4	86.1	2.6	66.5	2.2	55.0	1.50	Negative	UL/CSA
E	STA-5760A	6.0	AC	3300	Unregulated	Desk-Top	4	3.4	86.1	2.6	66.5	2.2	55.0	1.67	-	UL
	STA-3575	7.5	DC	100	Unregulated	Wall Plug-in	1	2.2	55.0	1.8	44.6	1.5	37.2	0.34	Negative	UL/CSA
	STA-3575A	7.5	DC	300	Unregulated	Wall Plug-in	1	2.2	55.0	1.8	44.6	1.5	37.2	0.36	Negative	UL/CSA
	STA-4875	7.5	DC	1000	Unregulated	Wall Plug-in	3	2.8	70.5	2.3	57.0	1.8	44.6	0.84	Negative	UL/CSA
F	STA-4875-4	7.5	DC	1000	Unregulated	Wall Plug-in	3	2.8	70.5	2.3	57.0	1.8	44.6	0.84	Positive	UL/CSA
	STA-5775	7.5	DC	1500	Unregulated	Wall Plug-in	4	3.4	86.1	2.6	66.5	2.2	55.0	1.43	Negative	UL/CSA
	STA-4175A	7.5	DC	500	Unregulated	Wall Plug-in	2	2.5	63.0	2.0	51.0	1.6	41.0	0.50	Negative	UL/CSA
	STA-3590B	9.0	DC	100	Unregulated	Wall Plug-in	1	2.2	55.0	1.8	44.6	1.5	37.2	0.35	Negative	UL/CSA
G	STA-3590	9.0	DC	200	Unregulated	Wall Plug-in	1	2.2	55.0	1.8	44.6	1.5	37.2	0.35	Negative	UL/CSA
	STA-4190C	9.0	DC	200	Regulated	Wall Plug-in	2	2.5	63.0	2.0	51.0	1.6	41.0	0.48	Negative	UL
	STA-3590A	9.0	DC	300	Unregulated	Wall Plug-in	1	2.2	55.0	1.8	44.6	1.5	37.2	0.35	Negative	UL/CSA
	STA-4190B	9.0	AC	300	Unregulated	Wall Plug-in	2	2.5	63.0	2.0	51.0	1.6	41.0	0.47	-	UL/CSA
H	STA-4890B	9.0	DC	400	Regulated	Wall Plug-in	9	3.5	89.0	2.4	61.0	1.9	47.0	0.90	Negative	UL/CSA
	STA-4190A	9.0	DC	500	Unregulated	Wall Plug-in	2	2.5	63.0	2.0	51.0	1.6	41.0	0.56	Negative	UL/CSA
	STA-4190D	9.0	AC	500	Unregulated	Wall Plug-in	2	2.5	63.0	2.0	51.0	1.6	41.0	0.45	-	UL/CSA
	STA-4190F	9.0	DC	700	Unregulated	Wall Plug-in	2	2.5	63.0	2.0	51.0	1.6	41.0	0.62	Negative	UL/CSA
I	STA-4890	9.0	DC	1000	Unregulated	Wall Plug-in	3	2.8	70.5	2.3	57.0	1.8	44.6	1.00	Negative	UL/CSA
	STA-4890A	9.0	DC	1200	Unregulated	Wall Plug-in	3	2.8	70.5	2.3	57.0	1.8	44.6	1.03	Negative	UL/CSA
	STA-4890A-4	9.0	DC	1200	Unregulated	Wall Plug-in	3	2.8	70.5	2.3	57.0	1.8	44.6	1.03	Positive	UL/CSA
	STA-6690	9.0	DC	3000	Unregulated	Desk-Top	7	4.8	121.1	3.1	80.0	2.5	64.5	2.44	Negative	UL/CSA
	STA-5790	9.0	AC	3400	Unregulated	Desk-Top	4	3.4	86.1	2.6	66.5	2.2	55.0	1.84	-	UL/CSA

Δ Compatible for use with Switchcraft 722A or PC-722A

* Agency Certification Note: U.L. 1310 Listed
CSA Certified

Domestic power source part numbers continued on page 14.

For outline drawings refer to page 16.



White-Rodgers • Emerson Electric Co.
9797 Reavis Road • St. Louis, MO 63123
(314) 865-8799 • Fax (314) 638-2400



DOMESTIC POWER SOURCES

Wall Plug-in/Desktop

Domestic STA



Domestic STA



Input for All Domestic Models is 120 Volts A.C., 60 Hz.

SEC.	STANCOR PART NUMBER	Rated Output		Regulated/Unregulated	Case Style	Size	DIMENSIONS			Weight (lbs.)	Output Plug Δ 2.1x5.5mm Inside Polarity	Agency* Certification				
		Volts	AC/DC				mA	Length (inches)	Width (inches)				Height (inches)			
A	STA-4110A	10.0	DC	300	Regulated	Wall Plug-in	2	2.5	63.0	2.0	51.0	1.6	41.0	0.57	Negative	UL/CSA
	STA-4110	10.0	AC	700	Unregulated	Wall Plug-in	2	2.5	63.0	2.0	51.0	1.6	41.0	0.55	-	UL/CSA
	STA-3512	12.0	DC	50	Unregulated	Wall Plug-in	1	2.2	55.0	1.8	44.6	1.5	37.2	0.35	Negative	UL/CSA
	STA-3512C	12.0	DC	100	Unregulated	Wall Plug-in	1	2.2	55.0	1.8	44.6	1.5	37.2	0.35	Negative	UL/CSA
B	STA-3512E	12.0	AC	100	Unregulated	Wall Plug-in	1	2.2	55.0	1.8	44.6	1.5	37.2	0.35	-	UL
	STA-300R	12.0	DC	200	Regulated	Wall Plug-in	2	2.5	63.0	2.0	51.0	1.6	41.0	0.50	Negative	UL/CSA
	STA-3512B	12.0	DC	200	Unregulated	Wall Plug-in	1	2.2	55.0	1.8	44.6	1.5	37.2	0.35	Negative	UL/CSA
	STA-3512F	12.0	AC	200	Unregulated	Wall Plug-in	1	2.2	55.0	1.8	44.6	1.5	37.2	0.35	-	UL
C	STA-4112B	12.0	DC	300	Unregulated	Wall Plug-in	2	2.5	63.0	2.0	51.0	1.6	41.0	0.50	Negative	UL/CSA
	STA-4112	12.0	DC	400	Unregulated	Wall Plug-in	2	2.5	63.0	2.0	51.0	1.6	41.0	0.49	Negative	UL/CSA
	STA-4112A	12.0	AC	500	Unregulated	Wall Plug-in	2	2.5	63.0	2.0	51.0	1.6	41.0	0.49	-	UL/CSA
	STA-4112C	12.0	DC	500	Unregulated	Wall Plug-in	2	2.5	63.0	2.0	51.0	1.6	41.0	0.62	Negative	UL/CSA
D	STA-4812D	12.0	DC	600	Unregulated	Wall Plug-in	3	2.8	70.5	2.3	57.0	1.8	44.6	0.84	Negative	UL/CSA
	STA-4812B	12.0	AC	850	Unregulated	Wall Plug-in	3	2.8	70.5	2.3	57.0	1.8	44.6	0.83	-	UL
	STA-4812A	12.0	DC	1000	Unregulated	Wall Plug-in	3	2.8	70.5	2.3	57.0	1.8	44.6	1.00	Negative	UL/CSA
	STA-4812A-4	12.0	DC	1000	Unregulated	Wall Plug-in	3	2.8	70.5	2.3	57.0	1.8	44.6	1.00	Positive	UL/CSA
E	STA-5712	12.0	DC	1200	Unregulated	Wall Plug-in	4	3.4	86.1	2.6	66.5	2.2	55.0	1.46	Negative	UL/CSA
	STA-5712-4	12.0	DC	1200	Unregulated	Wall Plug-in	4	3.4	86.1	2.6	66.5	2.2	55.0	1.46	Positive	UL/CSA
	STA-6612	12.0	DC	2000	Unregulated	Desk-Top	7	4.8	121.1	3.1	80.0	2.5	64.5	2.46	Negative	UL/CSA
	STA-6612A	12.0	DC	2500	Unregulated	Desk-Top	7	4.8	121.1	3.1	80.0	2.5	64.5	2.74	Negative	UL/CSA
F	STA-6612B	12.0	DC	3000	Unregulated	Desk-Top	7	4.8	121.1	3.1	80.0	2.5	64.5	2.80	Negative	UL/CSA
	STA-4812	12.5	DC	800	Unregulated	Wall Plug-in	3	2.8	70.5	2.3	57.0	1.8	44.6	0.84	Negative	UL/CSA
	STA-5713	13.5	DC	1300	Unregulated	Wall Plug-in	4	3.4	86.1	2.6	66.5	2.2	55.0	1.43	Negative	UL/CSA
	STA-5713A	13.5	DC	1700	Unregulated	Wall Plug-in	4	3.4	86.1	2.6	66.5	2.2	55.0	1.66	Negative	UL/CSA
G	STA-5713AC	13.5	DC	1700	Unregulated	Desk-Top	4	3.4	86.1	2.6	66.5	2.2	55.0	1.85	Negative	UL/CSA
	STA-6013A	13.5	DC	2100	Unregulated	Desk-Top	5	3.8	95.6	2.8	72.0	2.3	57.0	2.20	Negative	UL/CSA
	STA-6613	13.5	DC	2400	Unregulated	Desk-Top	7	4.8	121.1	3.1	80.0	2.5	64.5	2.74	Negative	UL/CSA
	STA-4814	14.5	DC	800	Unregulated	Wall Plug-in	3	2.8	70.5	2.3	57.0	1.8	44.6	0.85	Negative	UL/CSA
	STA-4815	15.0	DC	600	Unregulated	Wall Plug-in	3	2.8	70.5	2.3	57.0	1.8	44.6	0.85	Negative	UL/CSA
H	STA-5715	15.0	DC	1000	Unregulated	Wall Plug-in	4	3.4	86.1	2.6	66.5	2.2	55.0	1.50	Negative	UL/CSA
	STA-5715-4	15.0	DC	1000	Unregulated	Wall Plug-in	4	3.4	86.1	2.6	66.5	2.2	55.0	1.50	Positive	UL/CSA
	STA-6615	15.0	DC	2000	Unregulated	Desk-Top	7	4.8	121.1	3.1	80.0	2.5	64.5	2.75	Negative	UL/CSA
	STA-4116	16.0	AC	250	Unregulated	Wall Plug-in	2	2.5	63.0	2.0	51.0	1.6	41.0	0.49	-	UL/CSA
	STA-4118	18.0	AC	300	Unregulated	Wall Plug-in	2	2.5	63.0	2.0	51.0	1.6	41.0	0.48	-	UL
I	STA-6618	18.0	DC	2000	Unregulated	Desk-Top	7	4.8	121.1	3.1	80.0	2.5	64.5	2.74	Negative	UL/CSA
	STA-6618-4	18.0	DC	2000	Unregulated	Desk-Top	7	4.8	121.1	3.1	80.0	2.5	64.5	2.74	Positive	UL/CSA
	STA-3518	18.5	DC	80	Unregulated	Wall Plug-in	1	2.2	55.0	1.8	44.6	1.5	37.2	0.35	Negative	UL/CSA
	STA-4120	20.0	DC	280	Unregulated	Wall Plug-in	2	2.5	63.0	2.0	51.0	1.6	41.0	0.55	Negative	UL/CSA
	STA-4820	20.0	AC	700	Unregulated	Wall Plug-in	3	2.8	70.5	2.3	57.0	1.8	44.6	1.00	-	UL

Δ Compatible for use with Switchcraft 722A or PC-722A

* Agency Certification Note: U.L. 1310 Listed
CSA Certified

Domestic power source part numbers continued on page 15.

For outline drawings refer to page 16.

Domestic STA



Domestic STA



Input for All Domestic Models is 120 Volts A.C., 60 Hz.

SEC. NUMBER	STANCOR PART	Rated Output			Regulated/Unregulated	Case Style	DIMENSIONS						Weight (lbs.)	Output Plug ^Δ 2.1x5.5mm Inside Polarity	Agency* Certification	
		Volts	AC/DC	mA			Length Size (inches) (mm)	Width (inches) (mm)	Height (inches) (mm)							
A	STA-3524	24.0	DC	50	Unregulated	Wall Plug-in	1	2.2	55.0	1.8	44.6	1.5	37.2	0.35	Negative	UL/CSA
	STA-4124	24.0	AC	300	Unregulated	Wall Plug-in	2	2.5	63.0	2.0	51.0	1.6	41.0	0.55	-	UL/CSA
	STA-4824B	24.0	AC	450	Unregulated	Wall Plug-in	3	2.8	70.5	2.2	56.0	1.8	44.6	0.86	-	UL/CSA
B	STA-4824AT	24.0	DC	600	Unregulated	Wall Plug-in	9	3.5	89.0	2.4	61.0	1.9	47.0	1.15	Negative	UL/CSA
	STA-5724AT	24.0	DC	1000	Unregulated	Wall Plug-in	4	3.4	86.1	2.6	66.5	2.2	55.0	1.57	Negative	UL/CSA
	STA-5724AT-4	24.0	DC	1000	Unregulated	Wall Plug-in	4	3.4	86.1	2.6	66.5	2.2	55.0	1.57	Positive	UL/CSA
	STA-6624	24.0	DC	1500	Unregulated	Desk-Top	7	4.8	121.1	3.1	80.0	2.5	64.5	2.77	Negative	UL/CSA

Δ Compatible for use with Switchcraft 722A or PC-722A

For outline drawings refer to page 16.

* Agency Certification Note: U.L. 1310 Listed
CSA Certified

Desk-Top Regulated Series

SEC. NUMBER	STANCOR PART	Rated Output			Regulated/Unregulated	Case Style	DIMENSIONS						Weight (lbs.)	Output Connector Diagram	Agency* Certification	
		Volts	AC/DC	mA			Length Size (inches) (mm)	Width (inches) (mm)	Height (inches) (mm)							
C	STAR-9001	+5	DC	1000	Regulated	Desk-top	7	4.8	121.1	3.1	80.0	2.5	64.5	2.20	Fig. 1	UL
	STAR-9002	+5	DC	1500	Regulated	Desk-top	7	4.8	121.1	3.1	80.0	2.5	64.5	2.25	Fig. 1	UL
	STAR-9003	+12	DC	1000	Regulated	Desk-top	7	4.8	121.1	3.1	80.0	2.5	64.5	2.20	Fig. 2	UL
	STAR-9004	+12	DC	1200	Regulated	Desk-top	7	4.8	121.1	3.1	80.0	2.5	64.5	2.25	Fig. 2	UL
	STAR-9005	+5 +12 -12	DC DC DC	800 200 200	Regulated Regulated Regulated	Desk-top	7	4.8	121.1	3.1	80.0	2.5	64.5	2.45	Fig. 3	UL
	STAR-9006	+5 +12 -12	DC DC DC	1000 200 200	Regulated Regulated Regulated	Desk-top	7	4.8	121.1	3.1	80.0	2.5	64.5	2.45	Fig. 3	UL
	STAR-9007	+5 +12 -12	DC DC DC	1000 300 300	Regulated Regulated Regulated	Desk-top	7	4.8	121.1	3.1	80.0	2.5	64.5	2.47	Fig. 3	UL

* Agency Certification Note: U.L. 1310 Listed (File #E104603) or U.L. 1012 Listed (File #E112433)

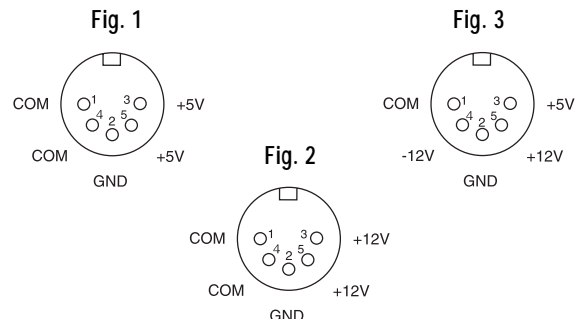
STAR Series Specifications

- Input Voltage: 120V ±10% 60HZ
- Combined Regulation: ±5%
- Output Ripple: 50m V MAX (Peak to Peak)
- Operating Temperature: -10° to +40° C
- Dielectric Test: 1500 VAC, RMS
- Short Circuit and Thermal Protected

STAR Series Features

- Single and Multiple Outputs
- Input and Output Cords 6' Long
- Rated For Continuous Duty
- Grounded Input Plug (3 Prong)

Output Connector Diagrams
5 Pin DIN



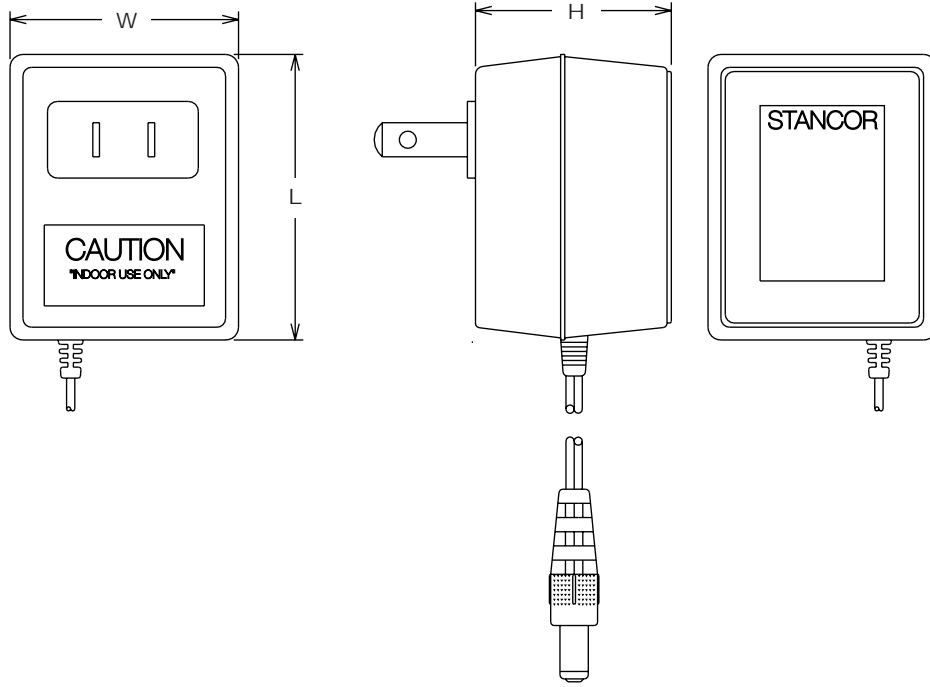
White-Rodgers • Emerson Electric Co.
9797 Reavis Road • St. Louis, MO 63123
(314) 865-8799 • Fax (314) 638-2400



STANCOR

Wall Plug-in/Desktop

Wall Plug-In



Desktop

